



KG6 SERIES BULKHEAD FITTING GLAND

- *High levels of EMC performance*
- *Overall screening by band strap system*
- *Termination by hand tool or pneumatic tool*
- *Light weight and compact in aluminium - suitable for all panel applications*
- *Sealing by o-ring seal & heat shrink boot*

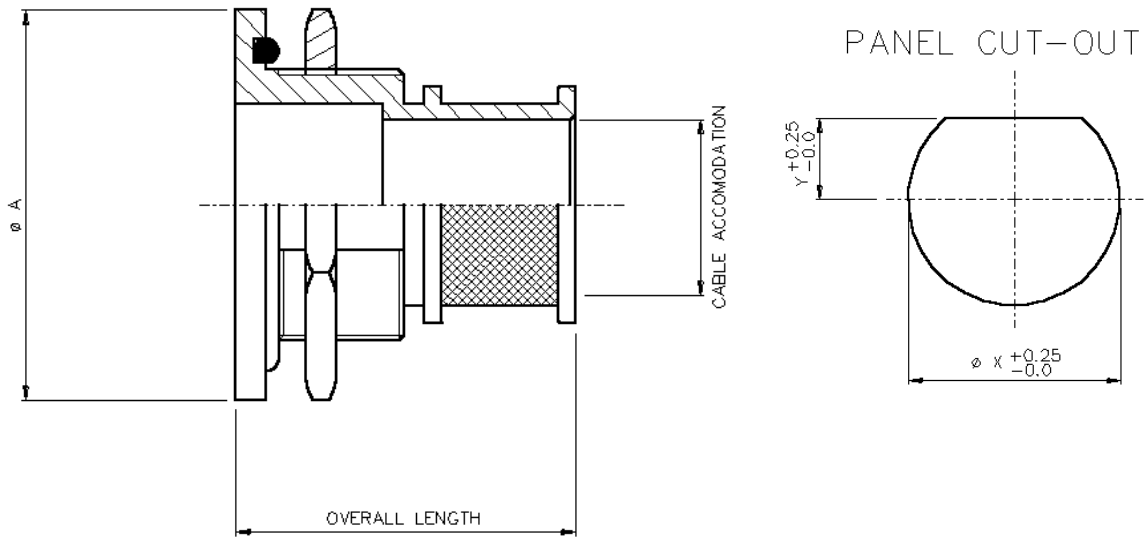
The **KG6** series is part of the **KG** range of high performance, bulkhead glands. A variety of techniques are used to provide electromagnetic compatibility, including TEMPEST level performance, for both individual and overall screening and environmental protection.

Suitable for both highly sophisticated and simpler solutions, the KG range is available at prices that are viable for small batch to high volume production runs. The range is ideal for all defence and aerospace as well as commercial and industrial applications.

KEC Limited is an EMC interconnect specialist that manufactures a wide selection of backshells, bulkhead/panel glands, conduit and conduit fittings and system harnesses.

KEC products are designed to suit all levels of screening requirements for EMI/RFI, EMP, TEMPEST and environmental protection and are designed to help manufacturers comply with UK and EC screening directives.

KG6 BULKHEAD GLAND



TYPICAL PART NUMBER

KG601-08J-XXX

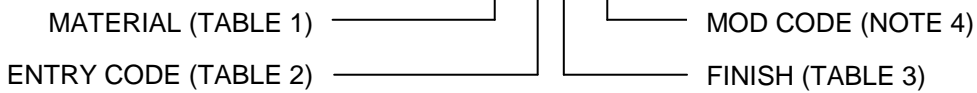


TABLE 1

MATERIAL CODE	
01	ALUMINIUM
02	STAINLESS STEEL
03	ALI BRONZE

TABLE 3

CODE	DESCRIPTION
J	ELECTROLESS NICKEL
W	CADMIUM + OLIVE DRAB
Z	ZINC COBALT + OLIVE DRAB

TABLE 2

ENTRY CODE	MAX CABLE ACCOMMODATION	Ø A	PANEL CUT-OUT DIMENSIONS		OVERALL LENGTH
			X	Y	
04	4.4	25.4	13.0	5.5	37.5
06	5.9	25.4	13.0	5.5	
08	7.5	28.5	16.1	7.4	
10	9.3	31.8	19.3	8.9	
12	12.7	34.8	22.5	10.5	
14	14.4	38.1	25.6	12.0	
16	17.8	41.2	28.8	13.6	
18	19.6	44.5	32.0	15.3	
20	24.1	47.5	35.2	16.9	
22	27.0	50.8	38.4	18.5	
24	29.2	53.8	41.5	20.0	

NOTES:

1. THE ABOVE INFORMATION IS TYPICAL AND MANY OTHER OPTIONS & VARIATIONS ARE AVAILABLE, PLEASE CONSULT FACTORY.
2. APPLICABLE PANEL THICKNESS RANGE 1.40 - 9.50mm.
3. KG6 SUPPLIED WITH BAND STRAP.
4. CONSULT FACTORY IF REQUIRED.

07/08

KEC LIMITED

Orpheus House, Calleva Park, Aldermaston, Reading, Berkshire RG7 8TA England
 Tel: +44 (0)118 981 1571 Fax: +44 (0)118 981 1570 email: sales@kec.co.uk www.kec.co.uk