



KG2 SERIES BULKHEAD FITTING GLAND

- *Excellent EMC performance including TEMPEST levels*
- *Proven IRIS spring technology for overall screening*
- *Individual screening with tube and braid kit*
- *Lightweight aluminium as standard form - suitable for all panel and bulkhead applications*
- *Environmental sealing to IP 66/67 with integral O ring seals (See Table 3 overleaf)*

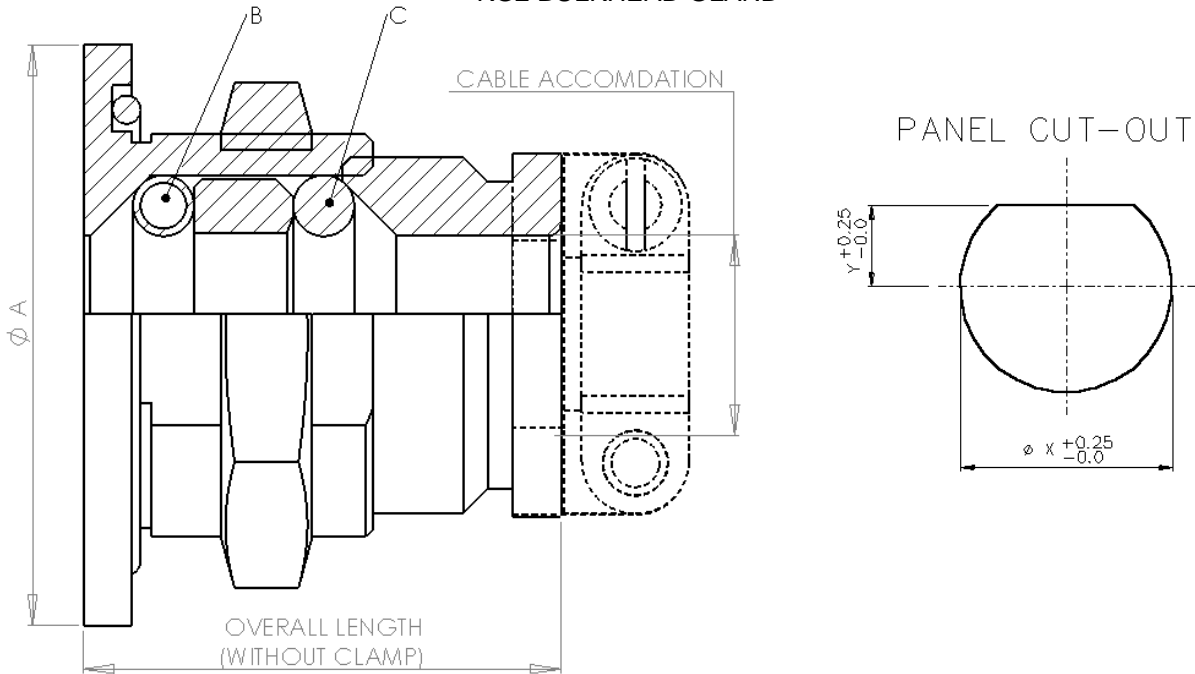
The **KG2** series is part of the **KG** range of high performance, bulkhead glands. A variety of techniques are used in the range to provide electromagnetic compatibility, including TEMPEST level performance for both individual and overall screening and environmental protection.

Suitable for both highly sophisticated and simpler solutions, the KG range is available at prices that are viable for small batch to high volume production runs. The range is ideal for all defence and aerospace as well as commercial and industrial applications.

KEC Limited is an EMC interconnect specialist that manufactures a wide selection of backshells, bulkhead/panel glands, conduit and conduit fittings and system harnesses.

KEC products are designed to suit all levels of screening requirements for EMI/RFI, EMP, TEMPEST and environmental protection and are designed to help manufacturers comply with UK and EC screening directives.

KG2 BULKHEAD GLAND



TYPICAL PART NUMBER

KG201-03DC-K1-* (Mod Code if required)**



TABLE 1

MATERIAL CODE	
01	ALUMINIUM
02	STAINLESS STEEL (303)
03	ALI BRONZE

TABLE 2

ENTRY CODE	CABLE ACCOMMODATION		MAX K1/K2 (mm)	PANEL CUT-OUT DIMENSIONS		ϕ A	OVERALL LENGTH	
	MIN	MAX		X	Y		MIN	MAX
01	1.6	3.2	N/A	16.1	7.4	28.5	22.5	30.0
02	3.2	6.4	N/A	19.3	8.9	31.8		
03	4.0	9.5	3.7	22.5	10.5	34.8		
04	7.2	12.7	6.9	25.6	12.0	38.1		
05	10.3	15.9	10.1	28.8	13.6	41.2		
06	13.5	19.1	13.2	32.0	15.3	44.5		
07	16.7	22.2	15.9	35.2	16.9	47.5		
08	19.9	25.4	19.1	38.4	18.5	50.8		
09	23.0	28.6	22.3	41.5	20.0	53.8		

Please note that when selecting the gland size it is best to choose the smallest cable entry size that will accommodate your cable such that the cable fills the gland as much as possible.

TABLE 3

CODE	DESCRIPTION	POSITION	
		B	C
D	EMI/RFI & ENVIRONMENTAL	IRIS	SEAL
E	ENVIRONMENTAL & EMI/RFI	SEAL	IRIS
F	EMP & TEMPEST	IRIS	IRIS
G	HIGH PRESSURE SEAL	SEAL	SEAL

TABLE 4

CODE	FINISH – FOR ALUMINIUM PARTS
G	BLACK ZINC NICKEL
W	CADMIUM + OLIVE DRAB
Z	ZINC COBALT + OLIVE DRAB

TABLE 5

CODE	TUBE AND BRAID KIT
K1	LONG KIT
K2	SHORT KIT

Omit code if Kit is not required. Please note that tube & braid kits are only available for cable entry sizes 03 & larger. Braid without tube can be used on size 02 to terminate individual screens. For more information please consult factory.

NOTES:

- STANDARD FINISH ON ALUMINIUM PARTS IS ELECTROLESS NICKEL. TABLE 4 SHOWS OTHER FINISHES. PLEASE CONSULT FACTORY FOR PART NUMBER. STAINLESS STEEL PARTS ARE SUPPLIED PASSIVATED. ALUMINIUM BRONZE PARTS HAVE A SELF-FINISH.
- THE ABOVE INFORMATION IS TYPICAL AND MANY OTHER OPTIONS & VARIATIONS ARE AVAILABLE, PLEASE CONSULT FACTORY
- APPLICABLE PANEL THICKNESS RANGE 1.4 - 9.50mm
- CABLE CLAMPS ARE AVAILABLE. USE 'C' IN PART NUMBER TO CALL THEM UP – OMIT IF NOT REQUIRED
- MOD CODE 100 CALLS FOR GRADE 316L STAINLESS STEEL
- OPERATING TEMPERATURES VARY DEPENDING ON MATERIAL: ALUMINIUM = -55°C to +175°C.

KEC LIMITED

Orpheus House, Calleva Park, Aldermaston, Reading, Berkshire RG7 8TA England
Tel: +44 (0)118 981 1571 Fax: +44 (0)118 981 1570 email: sales@kec.co.uk www.kec.co.uk