



KC 2100 SERIES EMC CIRCULAR BACKSHELLS

- Suitable for all standard circular connectors
- EMC to highest levels including TEMPEST
- Overall screening is provided by proven IRIS spring technology
- Individual screening with slotted tube and braid kit
- Ideal solution for fibre and mixed fibre and copper cable assemblies providing EMC screening and protection for the fibre.
- Teeth on adaptor body mesh with connector teeth for positive lock.
- Blind teeth on aluminium parts for increased screening capability
- Environmental sealing to IP 66/67 with integral 'O' ring seals
- No special tools are required and the system is easily reworked

The **KC 2100** series is part of the **KC 2000** range of high performance, EMC backshells for standard circular connectors that consist of eight individual but interrelated products.

A variety of techniques are used to provide electromagnetic compatibility, including TEMPEST level performance for both individual and overall screening and environmental protection.

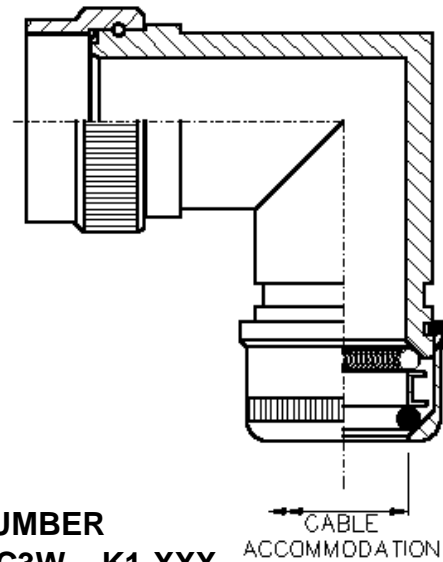
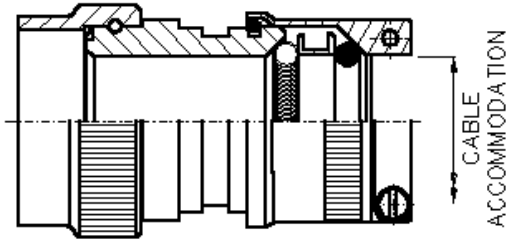
Suitable for both highly sophisticated and simpler solutions, the KC 2000 range is available at prices that are viable for small batch to high volume production runs. The range is ideal for all defence and aerospace as well as commercial and industrial applications.

KEC Limited is an EMC interconnect specialist that manufactures a wide selection of backshells, bulkhead/panel glands, conduit and conduit fittings.

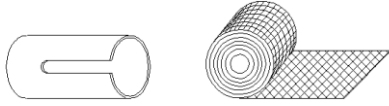
KEC products are designed to suit all levels of screening requirements for EMI/RFI, EMP, TEMPEST and environmental protection and are designed to help manufacturers comply with UK and EC screening directives.

STRAIGHT BACKSHELL

90° BACKSHELL (45° ALSO AVAILABLE)



TUBE & BRAID KIT



TYPICAL PART NUMBER
KC2101 - 32 - 23D06C3W - K1-XXX

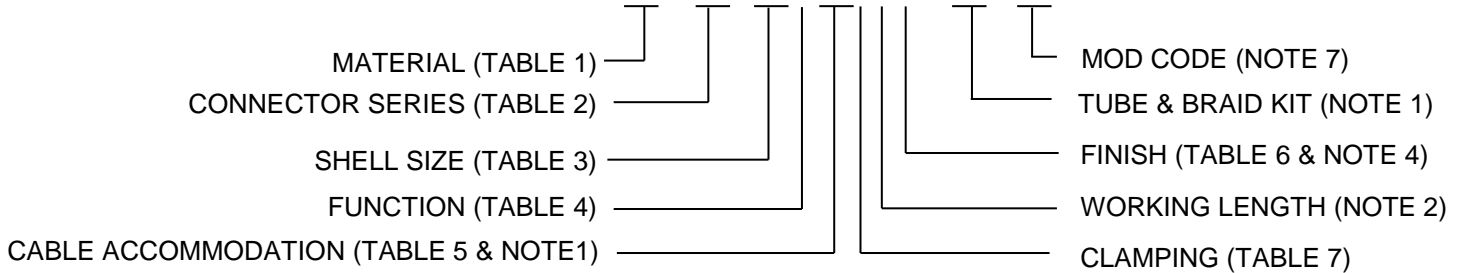


TABLE 1

MATERIAL CODE	
01	ALUMINIUM
02	STAINLESS STEEL
03	ALI BRONZE

TABLE 2

SERIES CODE	CONNECTOR TYPE (TYPICAL)	SHELL SIZE
22/42/82	MIL-C-26482 SERIES 1 PAT 105, 608 & 603	08 - 24
26/46/86	MIL-C-38999 SERIES 1 & 2 PAT 614 & 616 PAN 6433-1	08 - 24
28/48/88	MIL-C-83723 SERIES 1 & 3 MIL-C-26482 SERIES 2 PAT 602 & PAN 6432-1 & -4	08 - 24
32/52/92	MIL-C-38999 SERIES 3 & 4 METRIC THREAD (EN3645)	09 - 25
38/58/98	PAN 6433-2 LN29729	08 - 24

TABLE 3

SHELL SIZE
08/09
10/11
12/13
14/15
16/17
18/19
20/21
22/23
24/25

TABLE 4

CODE	DESCRIPTION
D	EMI/RFI & ENVIRONMENTAL (IRIS/SEAL)
E	ENVIRONMENTAL & EMI/RFI (SEAL/IRIS)
F	EMP & TEMPEST (IRIS/IRIS)
G	HIGH PRESSURE SEAL (SEAL/SEAL)
T1	TEMPEST + ENVIRONMENTAL (IRIS/IRIS/SEAL)
T2	EMI/RFI + HIGH PRESSURE SEAL (IRIS/SEAL/SEAL)

TABLE 5

ENTRY CODE	MIN mm	MAX mm	MAX K1/K2 (mm)
01	1.6	3.2	N/A
02	3.2	6.4	N/A
03	6.4	9.5	3.7
04	9.5	12.7	6.9
05	12.7	15.9	10.1
06	15.9	19.1	13.2
07	19.1	22.2	15.9
08	22.2	25.4	19.1
09	25.4	28.6	22.3
10	28.6	31.8	23.6
11	31.8	34.9	24.9

TABLE 6

CODE	FINISH - FOR ALUMINIUM PARTS
G	BLACK ZINC NICKEL
J	ELECTROLESS NICKEL
W	CADMIUM + OLIVE DRAB
Z	ZINC COBALT + OLIVE DRAB

TABLE 7

CODE	DESCRIPTION
C	WITH CLAMP BARS
N	WITHOUT CLAMP BARS

NOTES:

- TUBE & BRAID KIT. OMIT IF NOT REQUIRED. PLEASE NOTE THAT TUBE & BRAID KITS ARE ONLY AVAILABLE FOR CABLE ENTRY SIZES 03 AND LARGER. BRAID WITHOUT TUBE CAN BE USED ON SIZE 02 TO TERMINATE INDIVIDUAL SCREENS. IF USING A KIT, DETERMINE THE CABLE ACCOMMODATION ENTRY SIZE FROM THE K1/K2 COLUMN IN TABLE 5. FOR MORE INFORMATION PLEASE CONSULT FACTORY.
- WORKING LENGTH IN 0.5" INCREMENTS. FOR EXAMPLE WORKING LENGTH 4 = 2". KC2100 MINIMUM WORKING LENGTH IS 3.(STRAIGHT BACKSHELLS ONLY - OMIT ON ANGLED VERSIONS)
- USE 22/26/28/32/38 FOR STRAIGHT BACKSHELLS, 42/46/48/52/58 FOR 45° BACKSHELLS & 82/86/88/92/98 FOR 90° BACKSHELLS.
- ALUMINIUM PARTS REQUIRE A FINISH CODE (SEE TABLE 6). STAINLESS STEEL PARTS ARE SUPPLIED PASSIVATED. ALUMINIUM BRONZE PARTS HAVE A SELF-FINISH. OMIT FINISH CODE IF STAINLESS STEEL OR ALUMINIUM BRONZE PARTS ARE REQUIRED.
- OPERATING TEMPERATURES VARY DEPENDING ON MATERIAL: ALUMINIUM = -55°C TO +175°C.
- THE ABOVE INFORMATION IS TYPICAL AND MANY OTHER OPTIONS & VARIATIONS ARE AVAILABLE, PLEASE CONSULT FACTORY.
- CONSULT FACTORY IF REQUIRED.

KEC LIMITED

Orpheus House, Calleva Park, Aldermaston, Reading, Berkshire RG7 8TA England
Tel: +44 (0)118 981 1571 Fax: +44 (0)118 981 1570 email: sales@kec.co.uk www.kec.co.uk