



KG5 SERIES BULKHEAD FITTING GLAND

- *Excellent EMC performance including TEMPEST levels*
- *Proven IRIS spring technology for overall screening*
- *Individual screening with tube and braid kit*
- *Stainless steel for top performance in all panel and bulkhead applications*
- *Environmental sealing to IP 66/67 with integral 'O' ring seals (see Table 4 overleaf)*

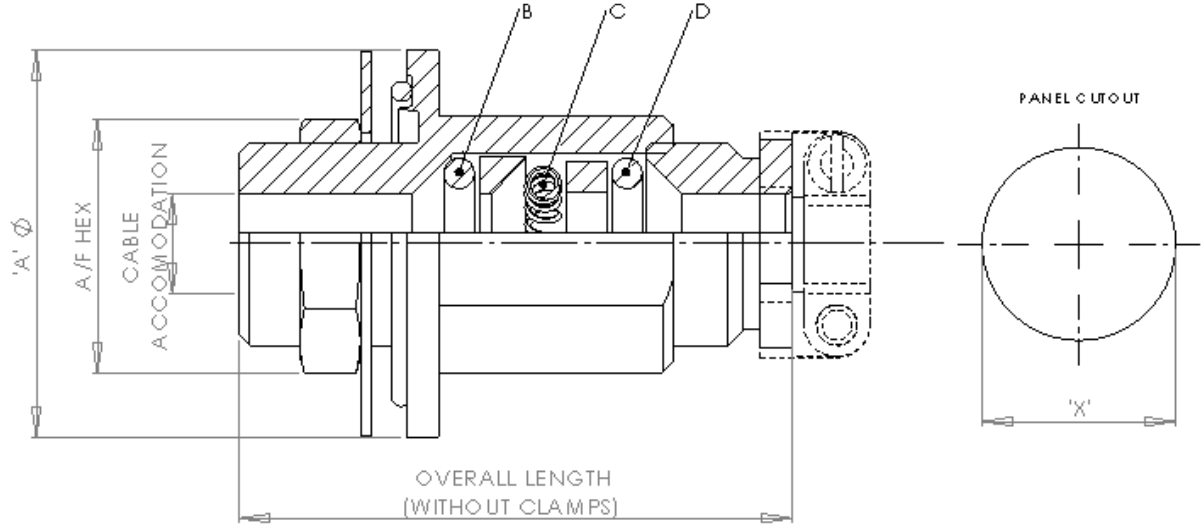
The **KG5** series is part of the **KG** range of high performance, bulkhead glands. A variety of techniques are used in the range to provide electromagnetic compatibility, including TEMPEST level performance for both individual and overall screening and environmental protection.

Suitable for both highly sophisticated and simpler solutions, the KG range is available at prices that are viable for small batch to high volume production runs. The range is ideal for all defence and aerospace as well as commercial and industrial applications.

KEC Limited is an EMC interconnect specialist that manufactures a wide selection of backshells, bulkhead/panel glands, conduit and conduit fittings and system harnesses.

KEC products are designed to suit all levels of screening requirements for EMI/RFI, EMP, TEMPEST and environmental protection and are designed to help manufacturers comply with UK and EC screening directives.

KG5 BULKHEAD GLAND



TYPICAL PART NUMBER

KG502-08*T1C-K1-*** (Mod code if required)

MATERIAL (TABLE 1) _____ TUBE & BRAID KIT (TABLE 3 & 5 & NOTE 4)
 _____ STRAIN RELIEF (NOTE 4)
 _____ FUNCTION (TABLE 4)
 SIZE CODE (TABLE 3) _____ FINISH CODE (TABLE 2)

TABLE 3

TABLE 1 MATERIAL CODE		SIZE CODE	'A' (mm)	OVERALL LENGTH (mm)		A/F HEX	CABLE ACCOMMODATION (mm)			PANEL CUT-OUT (mm)
				MIN	MAX		MIN	MAX	MAX KI/K2	'X'
01	ALUMINIUM	01	31.80	42.40	56.40	5/8"	1.60	3.20	N/A	12.80
02	STAINLESS STEEL	02	34.80	42.40	56.40	3/4"	3.20	6.40	N/A	16.00
05	BRASS	03	38.10	42.40	56.40	7/8"	4.00	9.50	3.7	19.00
		04	41.20	42.40	56.40	1.000"	7.20	12.70	6.9	22.50
		05	44.50	42.40	56.40	1 1/8"	10.30	15.90	10.1	25.50
		06	47.50	42.40	56.40	1 1/4"	13.50	19.10	13.2	28.80
		07	50.80	42.40	56.40	1 3/8"	16.70	22.20	15.9	31.90
		08	53.80	42.40	56.40	1 1/2"	19.90	25.40	19.1	35.20
		09	57.20	42.40	56.40	1 5/8"	23.00	28.60	22.3	38.20

TABLE 2

FINISH CODE	
J	ELECTROLESS NICKEL
W	CADMIUM + OLIVE DRAB
Z	ZINC COBALT + OLIVE DRAB

TABLE 5

CODE	TUBE & BRAID KIT
K1	LONG KIT
K2	SHORT KIT

OMIT CODE IF KIT IS NOT REQUIRED

TABLE 4

FUNCTION		POSITIONS		
CODE		B	C	D
T1	EMI/RFI/EMP/TEMPEST & ENVIRONMENTAL	IRIS	IRIS	SEAL
T2	EMI/RFI/EMP/TEMPEST & ENVIRONMENTAL	IRIS	SEAL	SEAL
T3	HIGH PRESSURE SEAL	SEAL	SEAL	SEAL
T4	EMI/RFI/EMP/TEMPEST & ENVIRONMENTAL	SEAL	IRIS	SEAL
T5	EMI/RFI/EMP/TEMPEST & ENVIRONMENTAL	SEAL	IRIS	IRIS
T6	EMP PROTECTION UP TO TEMPEST	IRIS	IRIS	IRIS
OTHER OPTIONS: PLEASE CONTACT THE FACTORY				

NOTES:

1. STANDARD MATERIAL IS STAINLESS STEEL, GRADE 303, SELF FINISH. OTHER MATERIALS AND FINISHES ARE AVAILABLE. SEE TABLES 1 & 2. OMIT FINISH CODE IF NOT REQUIRED.
2. MINIMUM PANEL THICKNESS 2.5mm.
3. CABLE CLAMPS ARE AVAILABLE. USE 'C' IN PART NUMBER TO CALL THEM UP - OMIT IF NOT REQUIRED.
4. TUBE & BRAID KIT - OMIT IF NOT REQUIRED. PLEASE NOTE THAT TUBE & BRAID KITS ARE ONLY AVAILABLE FOR CABLE ENTRY SIZES 03 AND LARGER. BRAID WITHOUT TUBE CAN BE USED ON SIZE 02 TO TERMINATE INDIVIDUAL SCREENS. IF USING A KIT, DETERMINE THE CABLE ACCOMMODATION ENTRY SIZE FROM THE K1/K2 COLUMN IN TABLE 3. FOR MORE INFORMATION PLEASE CONSULT FACTORY.
5. USE MOD CODE 100 AS A SUFFIX ON THE PART NUMBER TO CALL UP GRADE 316L STAINLESS STEEL.
6. PLEASE NOTE MAIN PICTURE SHOWS DUAL FUNCTION KG5. KG5 NOW SUPPLIED AS TRIPLE FUNCTION AS STANDARD AS PER TABLE 4.

KEC LIMITED

Orpheus House, Calleva Park, Aldermaston, Reading, Berkshire RG7 8TA England
 Tel: +44 (0)118 981 1571 Fax: +44 (0)118 981 1570 email: sales@kec.co.uk www.kec.co.uk