



## KG7 SERIES BULKHEAD FITTING GLAND

- *High levels of EMC performance*
- *Overall screening is provided by band strap system*
- *Individual screening by interwoven braid and slotted body*
- *Termination by hand tool or pneumatic tool*
- *Lightweight and compact in aluminium - suitable for all panel applications*
- *Sealing by o-ring seal and heat shrink boot*

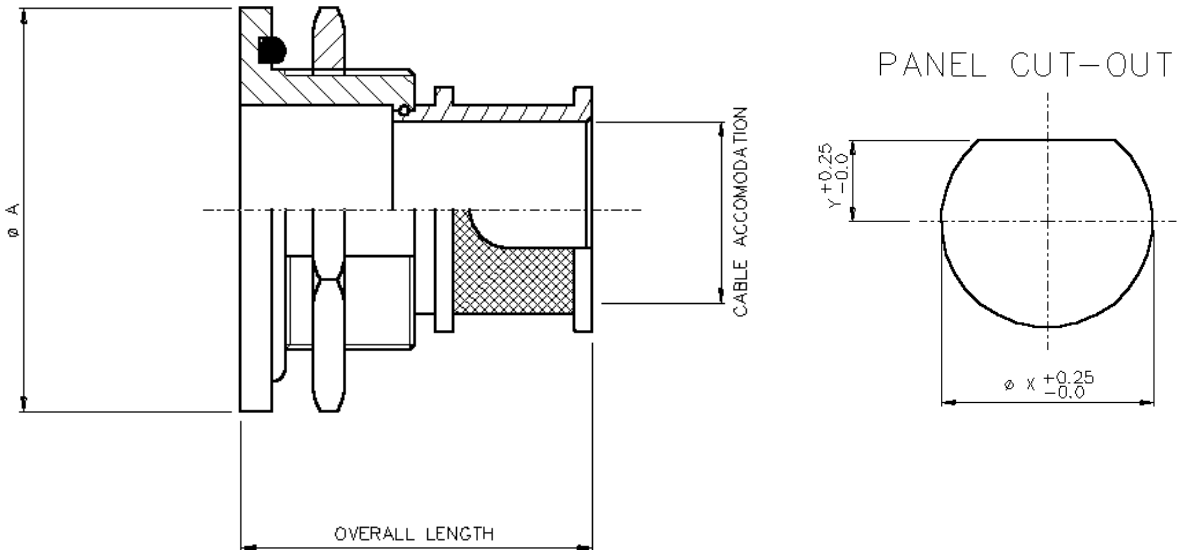
The **KG7** series is part of the **KG** range of high performance, bulkhead glands. A variety of techniques are used to provide electromagnetic compatibility, including TEMPEST level performance, for both individual and overall screening and environmental protection.

Suitable for both highly sophisticated and simpler solutions, the KG range is available at prices that are viable for small batch to high volume production runs. The range is ideal for all defence and aerospace as well as commercial and industrial applications.

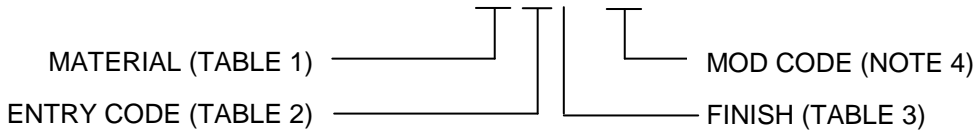
**KEC Limited** is an EMC interconnect specialist that manufactures a wide selection of backshells, bulkhead/panel glands, conduit and conduit fittings and system harnesses.

KEC products are designed to suit all levels of screening requirements for EMI/RFI, EMP, TEMPEST and environmental protection and are designed to help manufacturers comply with UK and EC screening directives.

## KG7 BULKHEAD GLAND



### TYPICAL PART NUMBER KG701-08J-XXX



**TABLE 1**  
MATERIAL CODE

01	ALUMINIUM
02	STAINLESS STEEL
03	ALI BRONZE

**TABLE 3**  
FINISH CODE

CODE	DESCRIPTION
J	ELECTROLESS NICKEL
W	CADMIUM + OLIVE DRAB
Z	ZINC COBALT + OLIVE DRAB

**TABLE 2**

ENTRY CODE	MAX CABLE ACCOMMODATION	Ø A	PANEL CUT-OUT DIMENSIONS		OVERALL LENGTH
			X	Y	
08	7.5	28.5	16.1	7.4	41.0
10	9.3	31.8	19.3	8.9	
12	12.7	34.8	22.5	10.5	
14	14.4	38.1	25.6	12.0	
16	17.8	41.2	28.8	13.6	
18	19.6	44.5	32.0	15.3	
20	24.1	47.5	35.2	16.9	
22	27.0	50.8	38.4	18.5	
24	29.2	53.8	41.5	20.0	

**NOTES:**

1. THE ABOVE INFORMATION IS TYPICAL AND MANY OTHER OPTIONS & VARIATIONS ARE AVAILABLE, PLEASE CONSULT FACTORY.
2. KG7 SUPPLIED WITH BAND STRAP & BRAID.
3. APPLICABLE PANEL THICKNESS RANGE: 1.4mm TO 9.5mm
4. CONSULT FACTORY IF REQUIRED.

07/08