

KD4 DIN 41612 BACKSHELLS

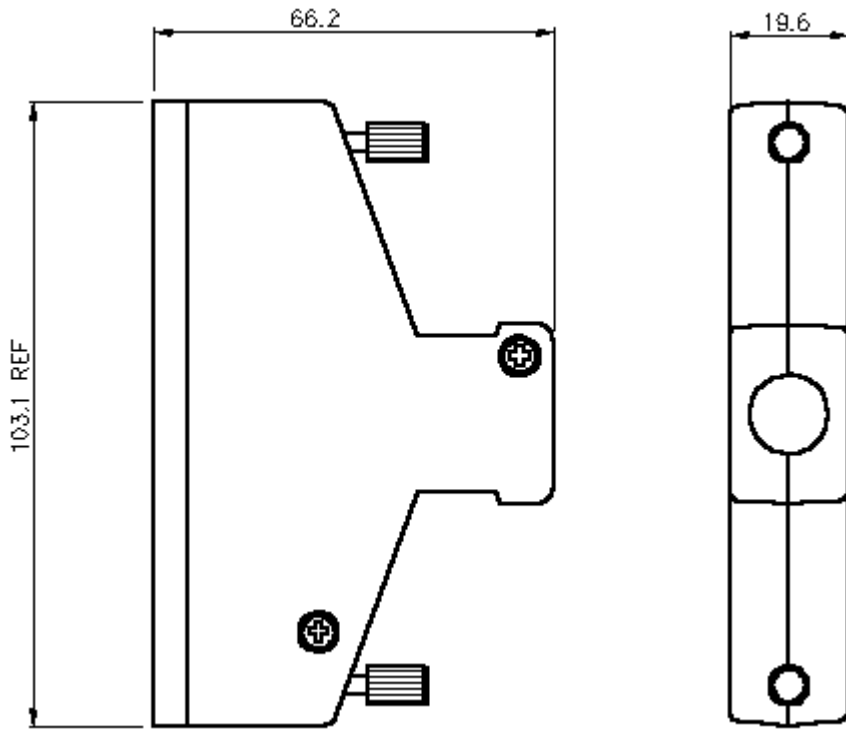
The KD4 is a series of screened backshells designed, in its standard form, for DIN 41612 connectors. These products are ideal for use in digital switches, computer data communications and similar systems, which have high cable densities. Built with a split die cast construction for maximum strength the KD4 series can accommodate individual and overall screened cables.

The backshell butts directly to the housing panel completely covering the connector and use of the "Iris" spring method ensures full 360° screening.

KEC Limited is an EMC interconnect specialist that manufactures a wide selection of backshells, bulkhead/panel glands, conduit and conduit fittings and system harnesses.

KEC products are designed to suit all levels of screening requirements for EMI/RFI, EMP, TEMPEST and environmental protection and are designed to help manufacturers comply with UK and EC screening directives.

KD4



TYPICAL PART NUMBER

KD4-J

FINISH CODE (NOTE 2)

NOTES:

1. ALL DIMENSIONS ARE IN MILLIMETRES AND ARE FOR REFERENCE ONLY.
2. FINISH CODE "J" SPECIFIES AN ELECTROLESS NICKEL FINISH. OMIT IF A FINISH IS NOT REQUIRED.
3. MATERIAL IS DIE CAST ZINC.

07/08

KEC LIMITED

Orpheus House, Calleva Park, Aldermaston, Reading, Berkshire RG7 8TA England
Tel: +44 (0)118 981 1571 Fax: +44 (0)118 981 1570 email: sales@kec.co.uk www.kec.co.uk