



KD3 BACKSHELL

The KD3 is a range of high quality, yet practical EMC backshells for micro-D connectors. They are available in straight, 45° or 90° versions and screen termination can be achieved by either banding or crimping techniques. Machined from high quality aluminium alloy the backshells form a tight fit with the connector shell and the jackscrew system allows very high levels of screen protection to be achieved.

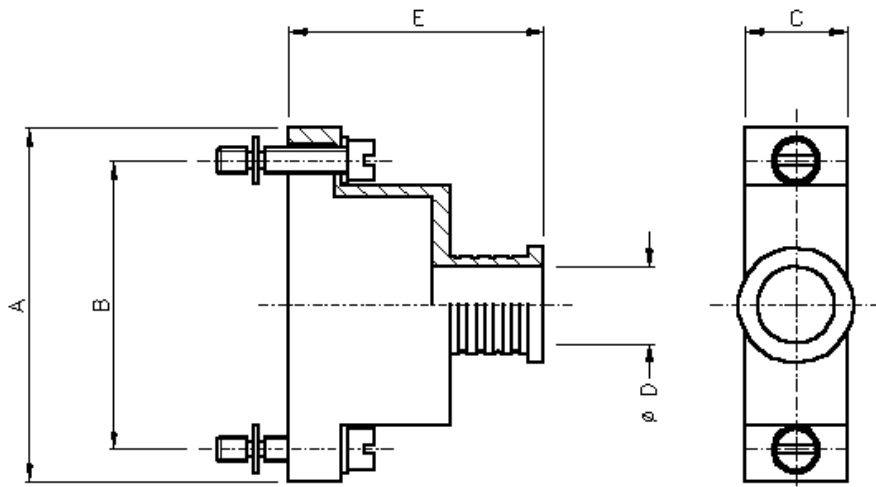
KEC have, for many years, produced special solutions for micro-D as well as other connector styles and the KD3 standard range has evolved from techniques originally developed for special applications.

KEC Limited is an EMC interconnect specialist that manufactures a wide selection of backshells, bulkhead/panel glands, conduit and conduit fittings and system harnesses.

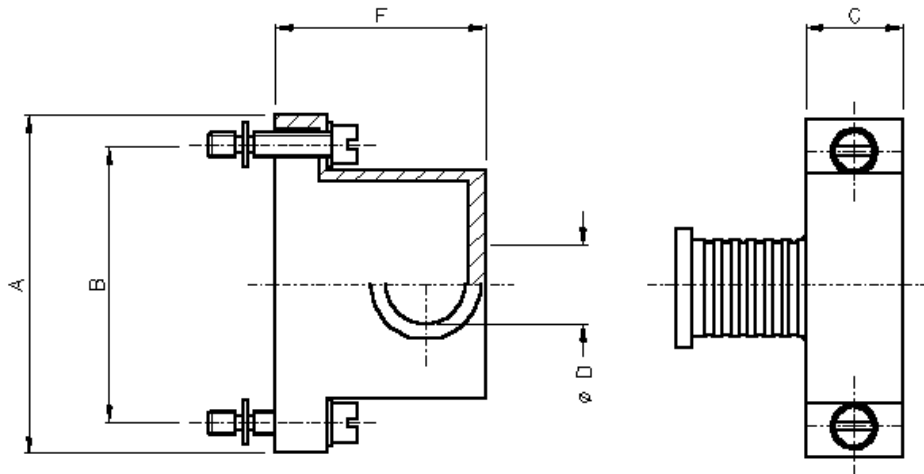
KEC products are designed to suit all levels of screening requirements for EMI/RFI, EMP, TEMPEST and environmental protection and are designed to help manufacturers comply with UK and EC screening directives.

KD3

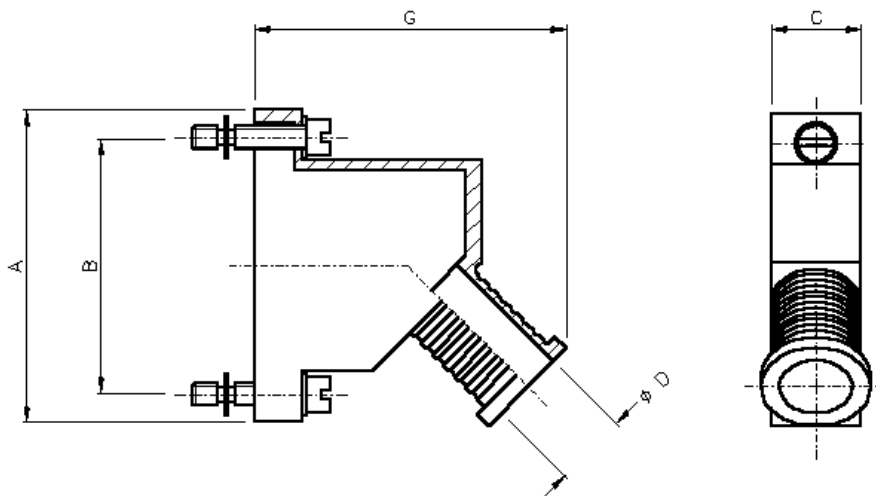
STYLE - A



STYLE - B



STYLE - C



TYPICAL PART NUMBER

KD3-09D-B-01J

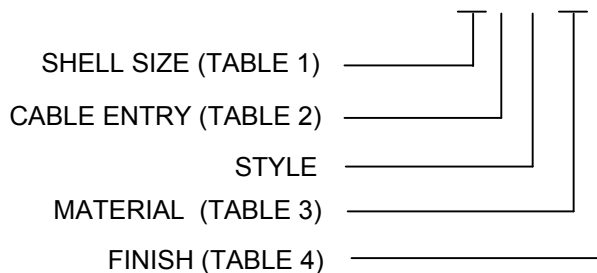


TABLE 1

SHELL SIZE	A	B	C	E	F	G MAX
09	19.7	14.4	9.0	21.2	15.5	29.8
15	23.5	18.2	9.0	22.6	16.1	29.8
21	27.3	22.0	9.0	25.3	17.2	29.8
25	29.8	24.5	9.0	27.0	18.5	29.8
31	33.7	28.3	9.0	29.0	19.0	29.8
37	37.5	32.1	9.0	30.0	20.0	29.8
51	36.2	30.9	10.0	30.5	22.7	30.5
100	54.9	45.7	11.2	32.0	24.5	37.6

TABLE 2

CABLE ENTRY	Ø D
A	4.00
B	4.80
C	6.35
D	7.00
E	7.60
F	8.70
G	9.50
H	12.70
J	14.20
K	15.70

TABLE 3

MATERIAL CODE	
01	ALUMINIUM
02	STAINLESS STEEL

TABLE 4

CODE	FINISH
J	ELECTROLESS NICKEL
W	CADMIUM + OLIVE DRAB
Z	ZINC COBALT + OLIVE DRAB

TABLE 5

SHELL SIZE / CABLE ENTRY AVAILABILITY			
SHELL SIZE	STYLE A	STYLE B	STYLE C
09	A - D	A - D	A - D
15	A - D	A - E	A - D
21	A - D	A - F	A - D
25	A - D	A - G	A - D
31	A - D	A - G	A - D
37	A - D	A - G	A - D
51	A - E	A - J	A - E
100	A - G	A - K	A - G

NOTES:

1. ALL DIMENSIONS ARE IN MILLIMETRES AND ARE FOR REFERENCE ONLY.
2. FOR OTHER JACKSCREW OPTIONS, MATERIALS AND FINISHES, PLEASE CONSULT FACTORY.

07/08

KEC LIMITED

Orpheus House, Calleva Park, Aldermaston, Reading, Berkshire RG7 8TA England
 Tel: +44 (0)118 981 1571 Fax: +44 (0)118 981 1570 email: sales@kec.co.uk www.kec.co.uk